

Product Specification

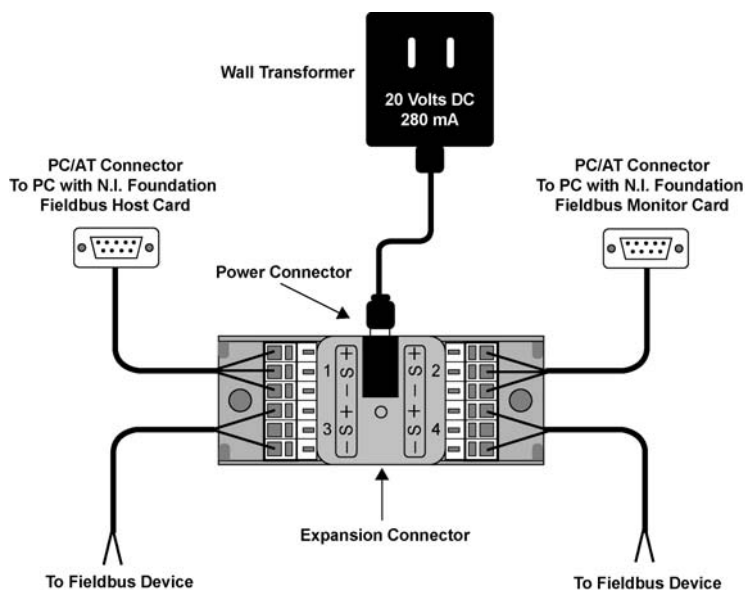
FOUNDATION™ Fieldbus Profibus PA

FCS-Labkit

The **FCS-Labkit** contains all components necessary to provide conditioned power and network termination for a bench scale development or demonstration network. Using optional Fieldbus Expander Blocks (FCS-E), the Labkit can connect and power up to ten field devices.

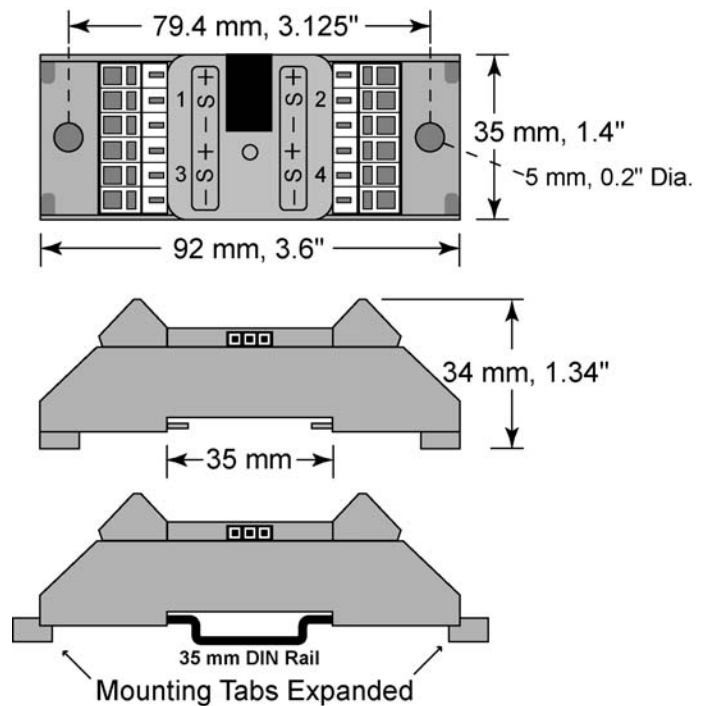
The Labkit is available with cage clamp, pluggable, or screw terminal connectors.

The suggested system configuration is illustrated below:



The Labkit includes the following items:

- One Relcom Power Hub (FCS-PH)
- One wall-mounted, plug-in power supply (110 or 220V)
- Two 1.5-meter cables with molded DB-9 male connectors at one end and tinned wires at the other (FCS-A04)
- Two 1.0-meter flexible cables with tinned wire ends for connection to Fieldbus Devices.
- One narrow blade screwdriver (FCS-A03)



Color Coding

For the terminals on wiring blocks with cage clamp connectors:

- Orange connector (+)
- Green connector (ground, cable shield)
- Blue connector (-)

For the PC/AT cable wire pair:

- Red wire (+)
- Black wire (-)
- Green wire (shield)

Specifications

- Fieldbus Impedance: 5mH in series with 50 Ohm @ 5 to 100 kHz
- Fieldbus Termination: 2 each network, 100 Ohm in series with 1 uF
- Fieldbus Voltage: 15 Volt nominal at 100 mA
- Fieldbus Current: 200 mA max with bus voltage > 12 Volts
- Current Limit: 240 mA short circuit for a maximum of 1 minute

Product specifications are subject to change without notice.